

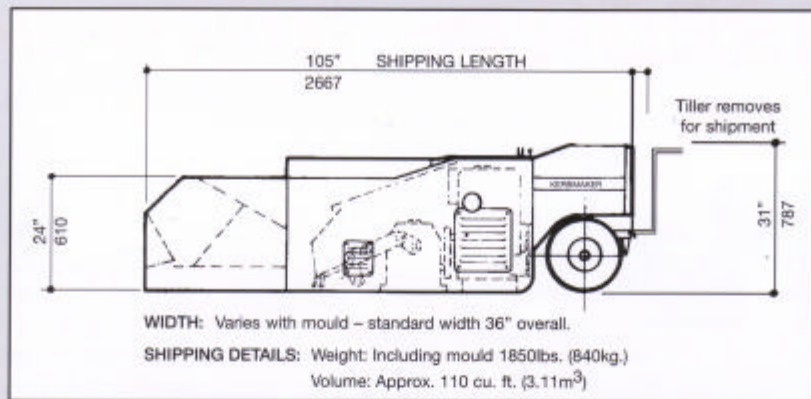
THE WAY OF THE FUTURE IN CURB MAKING

**ARROW** 770 THE KERBMAKER  
MANUAL HYDRAULIC



\* TIGHTER RADIUS \* QUICKER SET UP \* DESIGNED FOR THE BUDGET CONSCIOUS CONTRACTOR

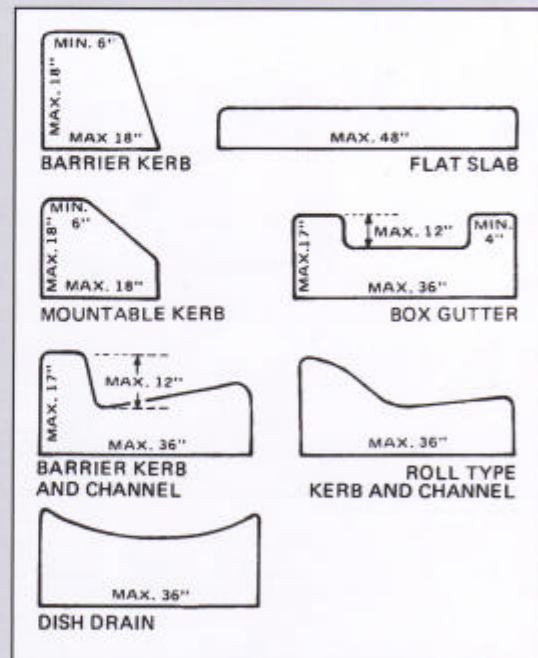
**THE ECONOMICAL ALTERNATIVE**



## SPECIFICATION

<b>ENGINE:</b>	Briggs and Stratton 16 HP VANGUARD OHV Air cooled gasoline model with 12 volt electric start.
<b>HYDRAULIC PUMP:</b>	REXROTH V7 Variable volume.
<b>REDUCTION BOX:</b>	Greaves 40:1 Worm reduction unit.
<b>DRIVES:</b>	Main drive - 1/2" ASA duplex chain. Hydraulics - Vee belt.
<b>CONTROLS:</b>	REXROTH manually operated 2MDC45 monoblock valve. Manual steering tiller.
<b>RAM MECHANISM:</b>	Fabricated Ram. Cast swing components. Hi-tensile shafting.
<b>FRAME AND BODY:</b>	Fabricated main frame with removable side and top covers for ease of servicing.
<b>MOULDS:</b>	Bolt on moulds to customer specification include finishing tools and joint cutter.
<b>PARTS AVAILABILITY:</b>	Major components have been selected to ensure world wide parts availability from local sources.

## TYPICAL MOULD SHAPES



MOULDS ARE MANUFACTURED  
TO CUSTOMERS SPECIFICATION

Arrow Machinery reserves the right to alter it's specification at any time without notice.  
ARROW CURBING MACHINES ARE DESIGNED AND MANUFACTURED IN AUSTRALIA.

**ARROW**  
ARROW MACHINERY  
THE KERBMAKER PEOPLE  
Email: arrow@idx.com.au  
www.arrowmachinery.com.au

Tel: Int 61-2 9672 3100  
Fax: Int 61-2 9621 5242  
18 Butterfield Street,  
Blacktown NSW 2148 Australia  
PO Box 618, Castle Hill  
NSW 1765 Australia

DISTRIBUTED BY: